

**Lavatory Faucet**  
**2480**

**Features**

- Solid brass construction
- Brass valve bodies
- Quarter-turn washerless ceramic disc valve cartridges
- ADA compliant contemporary lever handles
- Spout assembly with integral supply hoses
- Pop-up drain with tailpiece
- 6-1/8" (15.6 cm) spout height at outlet
- 5-9/16" (14.1 cm) spout reach (c-c)
- For 8" (20.3 cm) centers - Maximum 20" (50.8 cm)
- 1.2 gallons (4.5 liters) per minute maximum flow rate

**Codes / Standards Compliance**

Meets or exceeds the following at date of manufacture:

- ASME A112.18.1/CSA B125.1
- IAPMO/cUPC
- IPC
- NSF 61
- ADA
- ICC/ANSI A117.1
- Energy Policy Act of 1992
- All applicable US Federal and State material regulations
- EPA Watersense



**Colors / Finishes**

- 10B: Oil Rubbed Bronze
- 15: Polished Nickel
- 15S: Satin Nickel
- 26: Polished Chrome
- Other: Refer to the Newport Brass catalog for additional color/finish options.

**Specified Model**

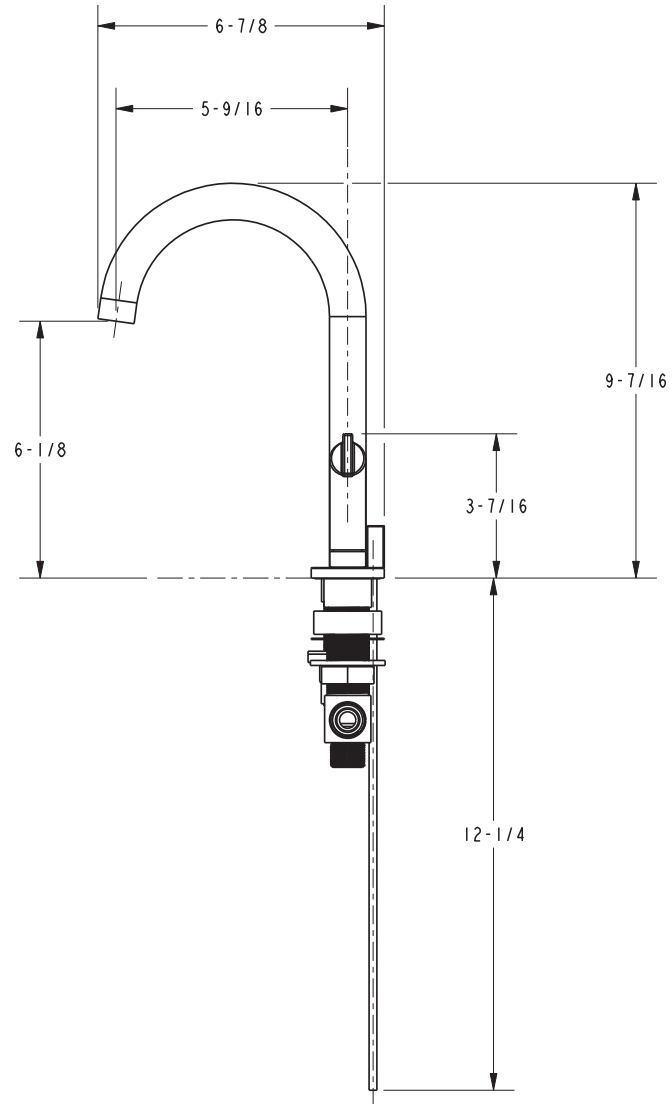
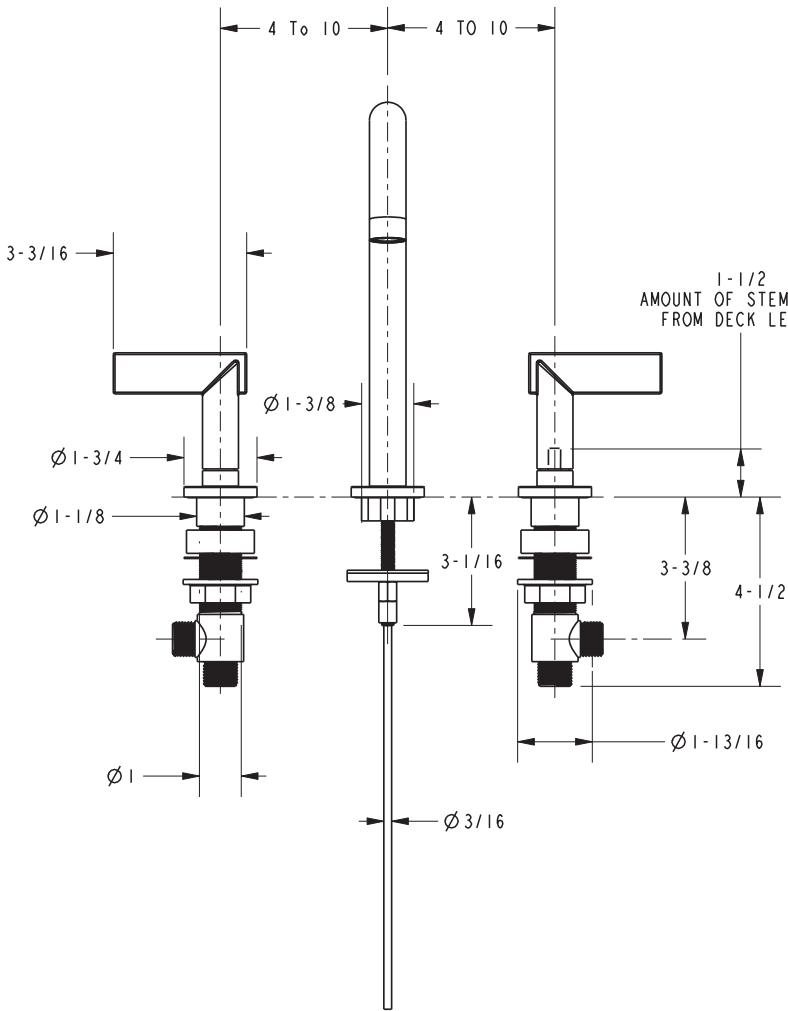
Model	Description	Colors   Finishes
2480	Lavatory Faucet	<input type="checkbox"/> 10B <input type="checkbox"/> 15 <input type="checkbox"/> 15S <input type="checkbox"/> 26 <input type="checkbox"/> Other

**Product Specification** Add "Color / Finish" suffix to Model number, below.

The two-handle Widespread Lavatory Faucet shall be made of solid brass construction. Faucet shall incorporate a spout assembly with integral supply hoses and feature brass valve bodies with quarter-turn washerless ceramic disc valve cartridges. Faucet shall have a 1.2 gallons (4.5 liters) per minute maximum flow rate. Product shall be for 8" (20.3 cm) centers - Maximum 20" (50.8 cm). Product shall incorporate a 6-1/8" (15.6 cm) spout height at outlet and a 5-9/16" (14.1 cm) spout reach (c-c). Faucet shall include a pop-up drain with tailpiece and incorporate ADA compliant contemporary lever handles. Widespread Lavatory Faucet shall be Newport Brass Model 2480/\_\_\_\_\_.

# 2480

## PRODUCT DIMENSIONS *(Units are in inches)*



### Priya Lavatory Faucet 2480